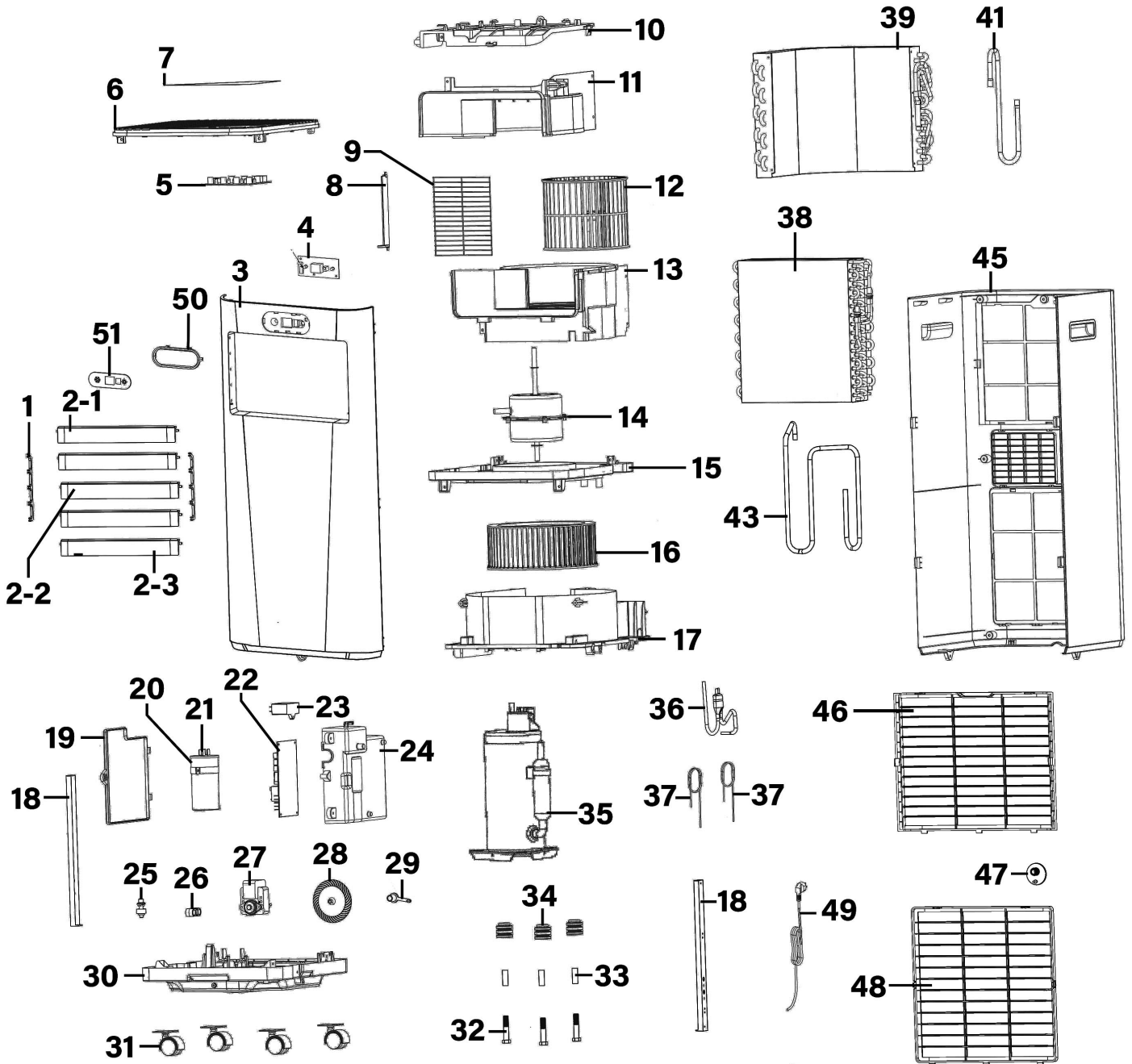




Parts Information:  
Portable Air Conditioner/Dehumidifier/Air  
Cooler with Window Sealing Kit 7,000Btu/hr  
Model No: SAC7000.V2



**NOTE:** It is our policy to continually improve products and as such we reserve the right to alter data, specifications and component parts without prior notice. There may be alternative versions of this product, please contact us should you require this information.

**IMPORTANT:** No liability is accepted for incorrect use of product. Spare parts must be fitted by a competent person

**WARRANTY:** Guarantee is 12 months from purchase date, proof of which will be required for any claim.

Sealey Group, Kempson Way, Suffolk Business Park, Bury St Edmunds, Suffolk. IP32 7AR



01284 757500



sales@sealey.co.uk



www.sealey.co.uk



Parts Information:  
**Portable Air Conditioner/Dehumidifier/Air  
 Cooler with Window Sealing Kit 7,000Btu/hr  
 Model No: SAC7000.V2**

| Item | Part No.      | Description              | Qty |
|------|---------------|--------------------------|-----|
| 1    | SAC7000-01    | Vane Support             | 2   |
| 2-1  | SAC7000-02-1  | Horizontal Vane (Upper)  | 1   |
| 2-2  | SAC7000-02-2  | Horizontal Vane (Middle) | 3   |
| 2-3  | SAC7000-02-3  | Horizontal Vane (Lower)  | 1   |
| 3    | SAC7000-03    | Front Cover              | 1   |
| 4    | SAC7000-04    | Remote Control PCB       | 1   |
| 5    | SAC9002-V2-05 | Display PCB              | 1   |
| 6    | SAC7000-06    | Top Cover                | 1   |
| 7    | SAC7000-07    | Display Panel            | 1   |
| 8    | SAC7000-08    | Vertical Vane            | 3   |
| 9    | SAC7000-09    | Wire Frame               | 1   |
| 10   | SAC7000-10    | Air Duct Cover Plate     | 1   |
| 11   | SAC7000-11    | Inside Upper Cover       | 1   |
| 12   | SAC7000-12    | Upper Fan Wheel          | 1   |
| 13   | SAC7000-13    | Inside Lower Cover       | 1   |
| 14   | SAC7000-14    | Motor                    | 1   |
| 15   | SAC7000-15    | Outer Upper Cover        | 1   |
| 16   | SAC7000-16    | Lower Fan Cover          | 1   |
| 17   | SAC7000-17    | Outer Lower Cover        | 1   |
| 18   | SAC7000-18    | Support Bracket          | 1   |
| 19   | SAC7000-19    | Electric Box Cover       | 2   |
| 20   | SAC7000-20    | Capacitor Clip           | 1   |
| 21   | SAC7000-21    | Capacitor for Compressor | 1   |
| 22   | SAC7000-22    | Main PCB                 | 1   |
| 23   | SAC7000-23    | Capacitor for Motor      | 1   |
| 24   | SAC7000-24    | Electric Box             | 1   |
| 25   | SAC7000-25    | Float Switch             | 1   |
| 26   | SAC7000-26    | Line Cord Cap            | 1   |
| 27   | SAC7000-27    | Water Pump Motor         | 1   |
| 28   | SAC7000-28    | Water Pump Wheel         | 1   |
| 29   | SAC7000-29    | Water Rubber Bung        | 1   |

| Item | Part No.       | Description   | Qty |
|------|----------------|---|-----|
| 30   | SAC7000-30     | Base  | 1   |
| 31   | SAC12000-V4-01 | Wheel, Swivel Castor, 4-Bolt Fixing (D: 30 W: 32 H: 45)             | 4   |
| 32   | SAC7000-32     | Screw for Compressor Foot   | 3   |
| 33   | SAC7000-33     | Sleeve for Compressor Foot  | 3   |
| 34   | SAC7000-34     | Compressor Foot   | 3   |
| 35   | SAC7000-35     | Compressor  | 1   |
| 36   | SAC7000-36     | Filter Component  | 1   |
| 37   | SAC7000-37     | Capillary Tube  | 1   |
| 38   | SAC7000-38     | Condenser   | 1   |
| 39   | SAC7000-39     | Evaporator  | 1   |
| 41   | SAC7000-41     | Suction Tube  | 1   |
| 43   | SAC7000-43     | Delivery Tube   | 1   |
| 45   | SAC7000-45     | Back Cover  | 1   |
| 46   | SAC7000-46     | Upper Filter Frame  | 1   |
| 47   | SAC7000-47     | Upper Frame Rubber Bung   | 1   |
| 48   | SAC7000-48     | Lower Filter Frame  | 1   |
| 49   | SAC7000-49     | Power Lead  | 1   |
| 50   | SAC7000-50     | Control Panel Support   | 1   |
| 51   | SAC7000-51     | Control Panel Label   | 1   |
| --   | SAC9002-V2-50  | Remote Control ( <b>not shown</b> )                                 | 1   |
| --   | SAC7000-53     | Water Pipe ( <b>not shown</b> )                                     | 1   |
| --   | SAC7000-54     | Hose Inlet ( <b>not shown</b> )                                     | 1   |
| --   | SAC7000-55     | Exhaust Hose ( <b>not shown</b> )                                   | 1   |
| --   | SAC7000-56     | Hose Outlet ( <b>not shown</b> )                                    | 1   |
| --   | SAC7000-57     | Window Sliding Bar ( <b>not shown</b> )                             | 1   |
| --   | SAC9002-V2-56  | Pipe Temperature Sensor ( <b>not shown</b> )                        | 1   |
| --   | SAC9002-V2-57  | Room Temperature Sensor ( <b>not shown</b> )                        | 1   |
| --   | SACWK1         | Window Sealing Kit for Air Conditioner Ducting ( <b>not shown</b> ) | 1   |

**NOTE:** It is our policy to continually improve products and as such we reserve the right to alter data, specifications and component parts without prior notice. There may be alternative versions of this product, please contact us should you require this information.

**IMPORTANT:** No liability is accepted for incorrect use of product. Spare parts must be fitted by a competent person

**WARRANTY:** Guarantee is 12 months from purchase date, proof of which will be required for any claim.

Sealey Group, Kempson Way, Suffolk Business Park, Bury St Edmunds, Suffolk. IP32 7AR



01284 757500



sales@sealey.co.uk



www.sealey.co.uk